

GLOBO STREET



Wire hanging, IP66 street luminaire with lens optics. Top quality SMD LED module with colour consistency MacAdams 3, extensive portfolio of lumen ranges, CCTs and spectra. Variety of drivers: standard EVG on/off driver, DALI or DMX driver on request. Body is made of aluminium aluminium and stainless steel. Standard RAL 7016, other colour on request. Mounting on any type of steel rope - custom made fixing brackets on request. Selection of optics, lumen outputs and drivers allows to use this luminaire in different types of lighting projects.

Luminous flux & Luminaire Power tolerance up to 10%. System power consumption depends on components used. Luminous efficacy depends on type of LED's, electronics, optics and diffusor. The most up to date technical parameters can be found on our website and in database of LDT files.

Lighting direction



PDF datasheet:

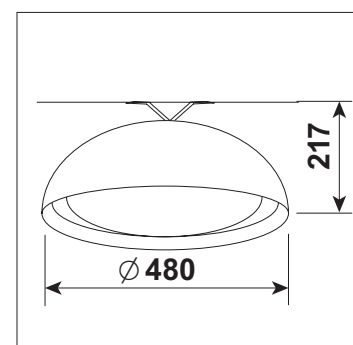


GLOBO STREET

Mounting:	Suspended on steel wire
Body material:	Aluminium and stainless steel
Colour:	Standard anthracite grey RAL 7016, other RAL colours on request
Lumen output:	Standard up to 10.000 lm, any other on request
LED module:	Signify (Philips), Tridonic or equivalent SMD LED module
Colour temperature:	3000/4000K, other on request
Colour Rendering:	CRI>80 in standard, other on request
Driver:	EVG on-off, DALI, other on request
Wireless control:	N/A
Daylight/Occupancy sensor:	N/A
Emergency unit:	N/A
Operating temperature range:	-30°C ... +45°C
IP Class:	IP66 in standard
Power:	220-240V 50/60Hz
Lighting direction:	Direct lighting
Light distribution:	Symmetric
Optics:	Lens
Beam angle:	60°/90°
Diffuser:	CG clear glass
Warranty:	5 Years standard warranty

GLOBO STREET suspended luminaire

All current index numbers, lumen outputs, power consumption and many other technical information are available in our 2024 pricelist.



Basic dimensions